

MOTORI KZ1 - KZ2 - PRODRIVER 125

I motori utilizzati nelle **categorie KZ1 e KZ2 e Prodriver** devono rispettare questi **principali requisiti**:

CILINDRATA MASSIMA 125 CC
ACCENSIONE ANALOGICA AD ANTICIPO FISSO
SILENZIATORE D'ASPIRAZIONE CONDOTTI D'INGRESSO DIAMETRO MASSIMO 30 MM
LIMITE RUMOROSITÀ 108 DB/A
SERBATOIO CAPACITÀ MINIMA 8 LITRI
DURATA FASE DI SCARICO MASSIMO 199 GRADI MOTORE
VOLUME CAMERA DI COMBUSTIONE MINIMO 11 CC
SPESSORE LAMIERA ESPANSIONE MINIMO 0.75 MM
CANDELA M14 X 1.25 LUNGHEZZA 18.5 MM
COPERCHIO PACCO LAMELLARE LIBERO
PESO MINIMO 175 KG

I **motori in corso di validità di omologazione CIK-FIA** per queste categorie sono:

ASPA Srl ITA Engine Modena Engines KK2 KZ1 / KZ2 032-EZ-45
IAME SpA - SU ITA Engine IAME Screamer 3 KZ1 / KZ2 040-EZ-24
Lenzokart Srl ITA Engine LKE Black Rock KZ1 / KZ2 033-EZ-75
OTK Kart Group Srl ITA Engine Vortex RSZ KZ1 / KZ2 012-EZ-76
OTK Kart Group Srl ITA Engine Vortex RTZ KZ1 / KZ2 012-EZ-25
TM Racing SpA ITA Engine TM Racing KZ-R1 KZ1 / KZ2 041-EZ-75

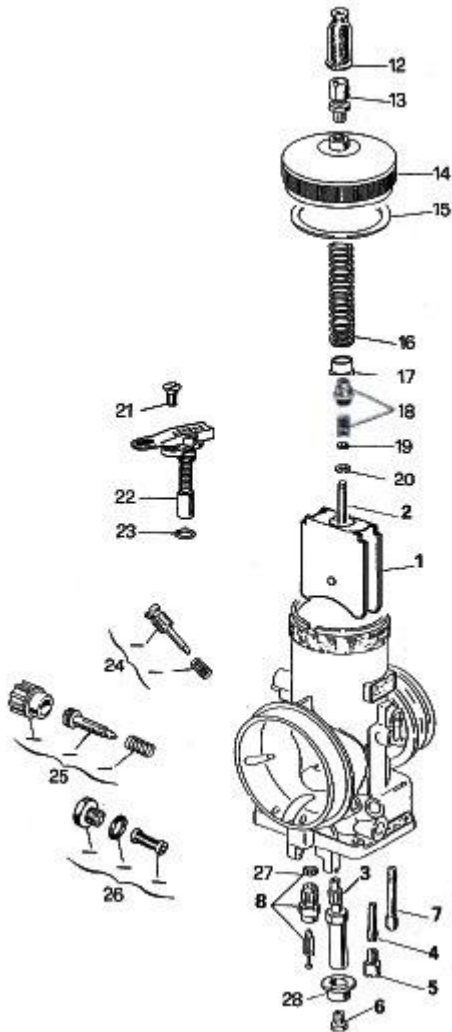
CRG ITA Moteur Maxter MXS 2 KZ1 / KZ2 13-M-24
DEA Engineering ITA Moteur DEA FB-R7 KZ1 / KZ2 14-M-24
DEA Engineering ITA Moteur DEA FB-R5 KZ1 / KZ2 15-M-24
OTK Kart Group Srl ITA Moteur Vortex RKZ KZ1/KZ2 19-M-24
IAME SpA ITA Moteur Parilla Screamer 2 KZ1/KZ2 22-M-24
Severi Racing Kart & C. Srl ITA Moteur SGM SR216X KZ1/KZ2 29-M-24
TM Racing SpA ITA Moteur TM Racing KZ 10 C KZ1 / KZ2 32-M-24
Lenzokart Srl ITA Moteur LKE LZ1 KZ1 / KZ2 35-M-24
Ryger-Engine NLD Moteur Ryger-Engine 125 Revo KZ1 / KZ2 40-M-24

ASPA SRL ITA MOTEUR MODENA ENGINES KK1 KZ1/KZ2 1 /M/21
IAME SPA ITA MOTEUR PARILLA DRIFTER KZ1/KZ2 13/M/21
IAME SPA ITA MOTEUR PARILLA SCREAMER KZ1/KZ2 12/M/21
LENZOKART SRL ITA MOTEUR LKE R14 KZ1/KZ2 21/M/21
MAXTER SRL ITA MOTEUR MAXTER MXS KZ1/KZ2 25/M/21
TM RACING SPA ITA MOTEUR TM RACING KZ10B KZ1/KZ2 23/M/21
OTK KART GROUP SRL ITA MOTEUR VORTEX RVZ KZ1/KZ2 5/M/21

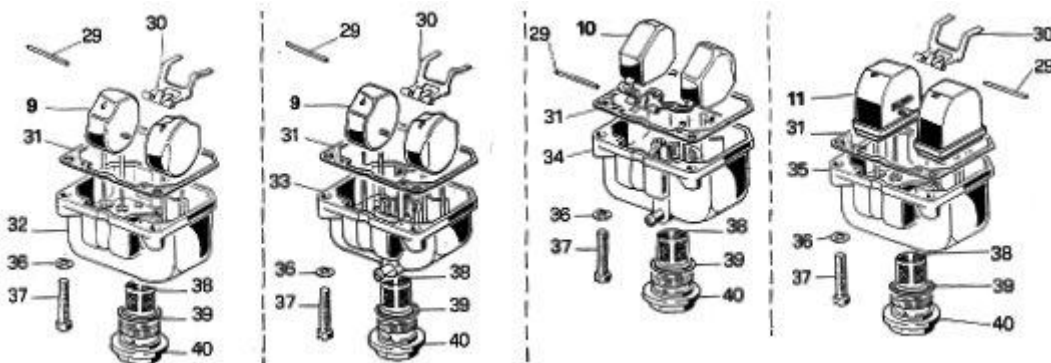
(dati aggiornati al 28-01-2019)

Il **carburatore omologato** per queste categorie è:

DELL'ORTO VSHS 30 BS-CS



1. GUILLOTINE THROTTLE VALVE
2. AIGUILLE MIXTURE NEEDLE
3. PULVERISATEUR SPARY NOZZLE
4. EMULSEUR MINIMUM IDLE DIFFUSER
5. GICLEUR MINIMUM IDLE JET
6. GICLEUR MAXIMUM HIGH SPEED JET
7. GICLEUR DEMARRAGE STARTER JET
8. POINTEAU NEEDLE VALVE
9. FLOTTEUR FLOATER
10. FLOTTEUR FLOATER
11. FLOTTEUR FLOATER
12. MANCHON CAP
13. VIS DE TENSION WIRE SCREW
14. COUVERCLE DU CORPS BODY COVER
15. JOINT DU COUVERCLE COVER GASKET
16. RESSORT DE RAPPEL GUILLOTINE THROTTLE VALVE RETURN SPRING
17. ASSIETTE GUIDE RESSORT SPRING GUIDE PLATE
18. FIXATION CÂBLE GUILLOTINE + MIXTURE VALVE NIPPLE +RESSORT SPRING
19. RONDELLE WASHER
20. ARRET DE L'AIGUILLE MIXTURE NEEDLE STOP
21. VIS DU DISPOSITIF DE DEMARRAGE STARTER FIXING SCREW
22. DISPOSITIF DE DEMARRAGE CHOKE
23. JOINT DISPOSITIF DEMARRAGE CHOKE GASKET
24. KIT VIS DE REGLAGE DE L'AIR KIT AIR ADJUSTMENT SCREW
25. KIT VIS DE REGLAGE GUILLOTINE KIT MIXTURE VALVE ADJUSTMENT
26. KIT FILTRE A ESSENCE FUEL FILTER KIT
27. JOINT DU POINTEAU NEEDLE VALVE GASKET
28. ASSIETTE PLATE
29. AXE FLOTTEUR FLOAT PIN
30. BALANCIER FLOTTEUR FLOAT ROCKER
31. JOINT DE LA CUVE FLOAT VALVE GASKET
32. CUVE FLOAT CHAMBER
33. CUVE FLOAT CHAMBER
34. CUVE FLOAT CHAMBER
35. CUVE FLOAT CHAMBER
36. RONDELLE WASHER
37. VIS DE FIXAGE DE LA CUVE FLOAT CHAMBER SCREW
38. FILTRE A ESSENCE FUEL FILTER
39. JOINT DU BOUCHON DE LA CUVE FLOAT CHAMBER PLUG GASKET
40. BOUCHON DE LA CUVE FLOAT CHAMBER PLUG
41. POCHETTE DE JOINTS GASKET KIT



I **silenzianti d'aspirazione in corso di validità di omologazione** per queste categorie sono:

KG Sas ITA Intake Silencer KG Power 30 KZ1 / KZ2 (30 mm) 003-SI-30
Righetti Ridolfi SpA ITA Intake Silencer Righetti Ridolfi NOX2-30 30 005-SI-26
Righetti Ridolfi SpA ITA Intake Silencer Righetti Ridolfi Active 30 005-SI-67

KG SAS ITA Silencieux Asp. KG Nitro 30 KZ1-KZ2 (30mm) 8-SA-24

RIGHETTI RIDOLFI SPA ITA SILENCIEUX ASP. RIGHETTI RIDOLFI NOX D30 19/SA/18
GIACOLETTO ITA SILENCIEUX ASP. KG APE1 KZ & KF G1 3/SA/18
BIREL SPA ITA SILENCIEUX ASP. FREE LINE BR30R CIK 25/SA/18
RIGHETTI RIDOLFI SPA ITA SILENCIEUX ASP. RIGHETTI RIDOLFI ASR D30 17/SA/18

GIACOLETTO ITA SILENCIEUX ASP. KG K-30 KZ 37 /SA/15
K&N ENGINEERING INC. USA SILENCIEUX ASP. K&N RK-1000 87173-30MM 51 /SA/15

(dati aggiornati al 28-01-2019)