

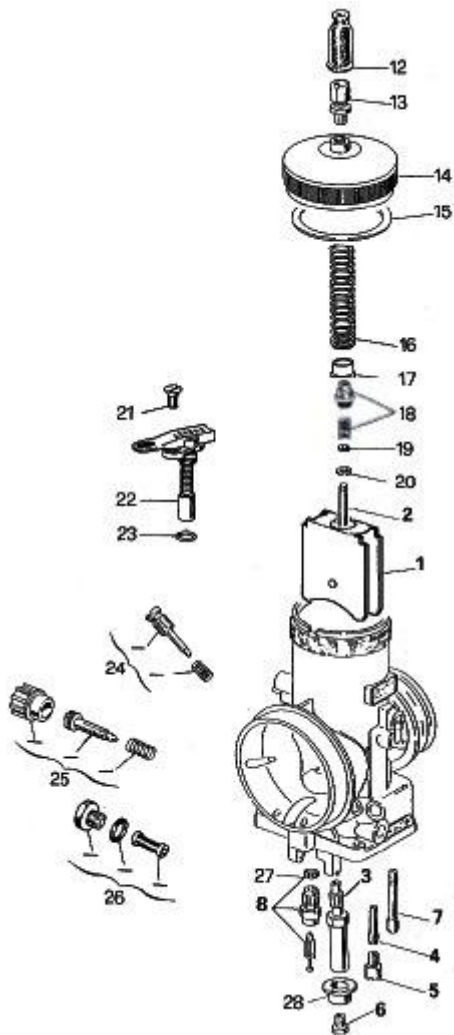
## ***MOTORI VORTEX ROK***

I motori utilizzati nella **categoria VORTEX ROK** devono rispettare questi **principali requisiti:**

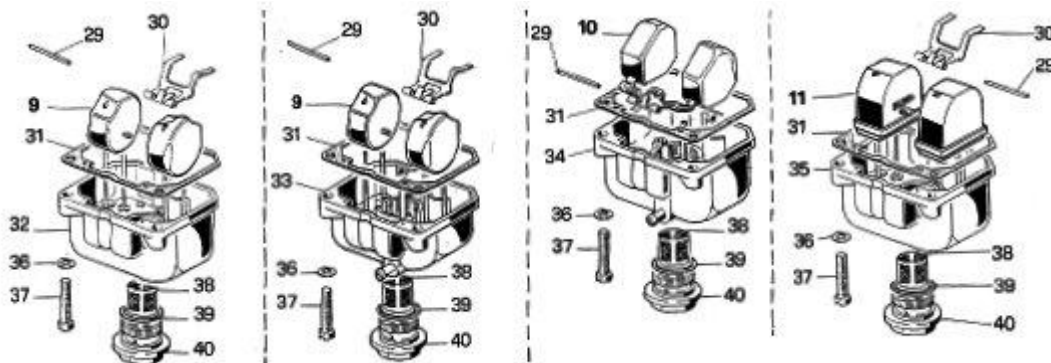
MOTORE MONOCILINDRICO  
CILINDRATA 123.95 CC  
RAFFREDDAMENTO A LIQUIDO  
ASPIRAZIONE LAMELLARE  
POTENZA 29.5 HP A 11500 RPM  
COPPIA 19.6 NM A 10000 RPM  
MAX 13800 RPM (limitato elettronicamente)  
DURATA SCARICO 184° MAX  
DURATA BOOSTER 179.5° MAX  
DURATA TRAVASI 131° MAX  
VOLUME CAMERA DI COMBUSTIONE MINIMO 9.5 CC  
SPESSORE SQUISH 1 MM  
ACCENSIONE DIGITALE PVL 500843/500980/500210  
MARMITTA MARCHIATA ROK  
LUBRIFICANTE PETRONAS ROK LUBE  
PESO MINIMO 160 KG

Il **carburatore omologato** per questa categoria è:

### DELL'ORTO VSHH 30 BS-CS

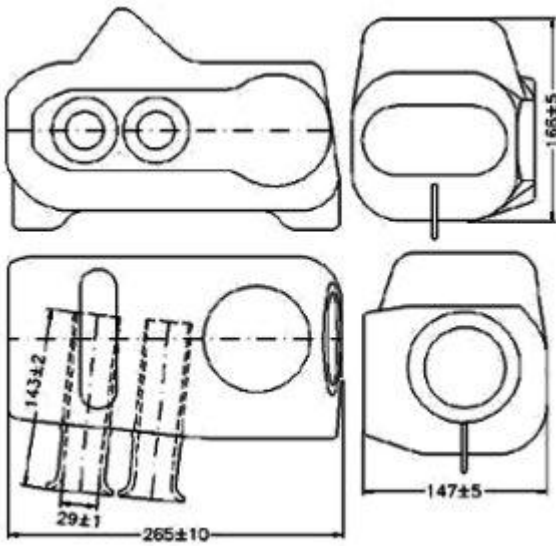


1. GUILLOTINE THROTTLE VALVE
2. AIGUILLE MIXTURE NEEDLE
3. PULVERISATEUR SPARY NOZZLE
4. EMULSEUR MINIMUM IDLE DIFFUSER
5. GICLEUR MINIMUM IDLE JET
6. GICLEUR MAXIMUM HIGH SPEED JET
7. GICLEUR DEMARRAGE STARTER JET
8. POINTEAU NEEDLE VALVE
9. FLOTTEUR FLOATER
10. FLOTTEUR FLOATER
11. FLOTTEUR FLOATER
12. MANCHON CAP
13. VIS DE TENSION WIRE SCREW
14. COUVERCLE DU CORPS BODY COVER
15. JOINT DU COUVERCLE COVER GASKET
16. RESSORT DE RAPPEL GUILLOTINE THROTTLE VALVE RETURN SPRING
17. ASSIETTE GUIDE RESSORT SPRING GUIDE PLATE
18. FIXATION CÂBLE GUILLOTINE + MIXTURE VALVE NIPPLE + RESSORT SPRING
19. RONDELLE WASHER
20. ARRET DE L'AIGUILLE MIXTURE NEEDLE STOP
21. VIS DU DISPOSITIF DE DEMARRAGE STARTER FIXING SCREW
22. DISPOSITIF DE DEMARRAGE CHOKE
23. JOINT DISPOSITIF DEMARRAGE CHOKE GASKET
24. KIT VIS DE REGLAGE DE L'AIR KIT AIR ADJUSTMENT SCREW
25. KIT VIS DE REGLAGE GUILLOTINE KIT MIXTURE VALVE ADJUSTMENT
26. KIT FILTRE A ESSENCE FUEL FILTER KIT
27. JOINT DU POINTEAU NEEDLE VALVE GASKET
28. ASSIETTE PLATE
29. AXE FLOTTEUR FLOAT PIN
30. BALANCIER FLOTTEUR FLOAT ROCKER
31. JOINT DE LA CUVE FLOAT VALVE GASKET
32. CUVE FLOAT CHAMBER
33. CUVE FLOAT CHAMBER
34. CUVE FLOAT CHAMBER
35. CUVE FLOAT CHAMBER
36. RONDELLE WASHER
37. VIS DE FIXAGE DE LA CUVE FLOAT CHAMBER SCREW
38. FILTRE A ESSENCE FUEL FILTER
39. JOINT DU BOUCHON DE LA CUVE FLOAT CHAMBER PLUG GASKET
40. BOUCHON DE LA CUVE FLOAT CHAMBER PLUG
41. POCHETTE DE JOINTS GASKET KIT

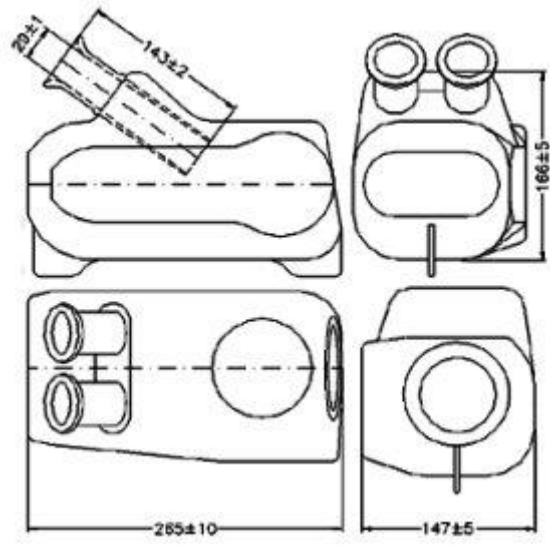


I **silenziatori d'aspirazione omologati** per questa categoria sono:

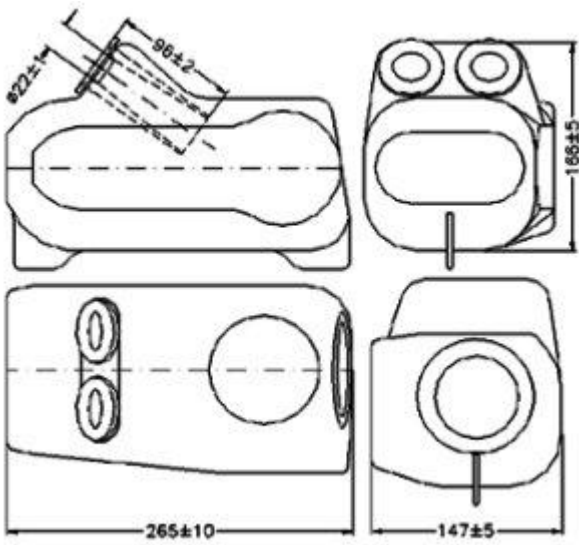
**ARROW G**



**ARROW E**



**ARROW F**



**ARROW C**

